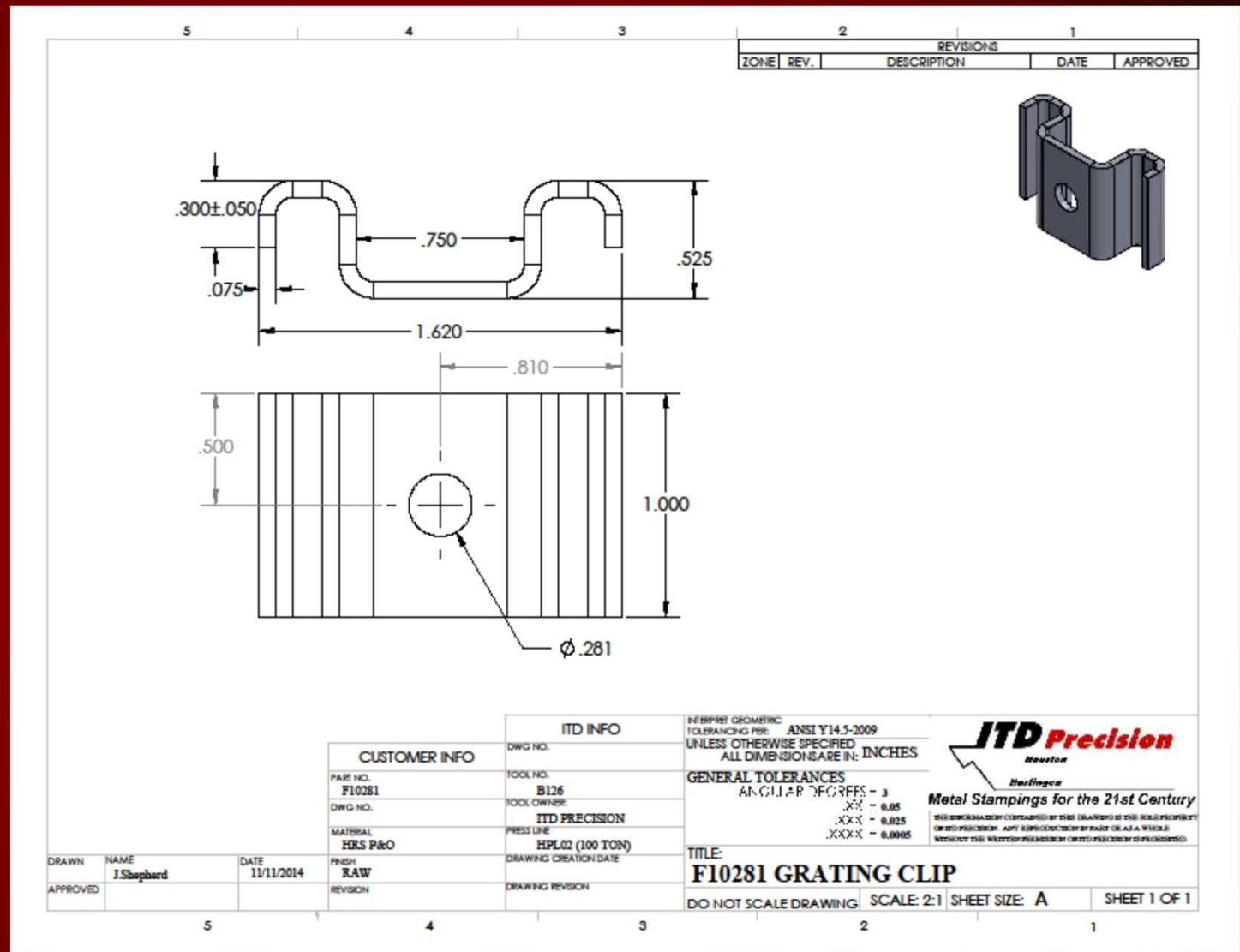


# F10-.281 GRATING FASTENER

(F10 VARIATION WITH  
Ø0.281 HOLE)



Material, shape & size variations may be available, contact [Sales@itdprecision.com](mailto:Sales@itdprecision.com) for more information.