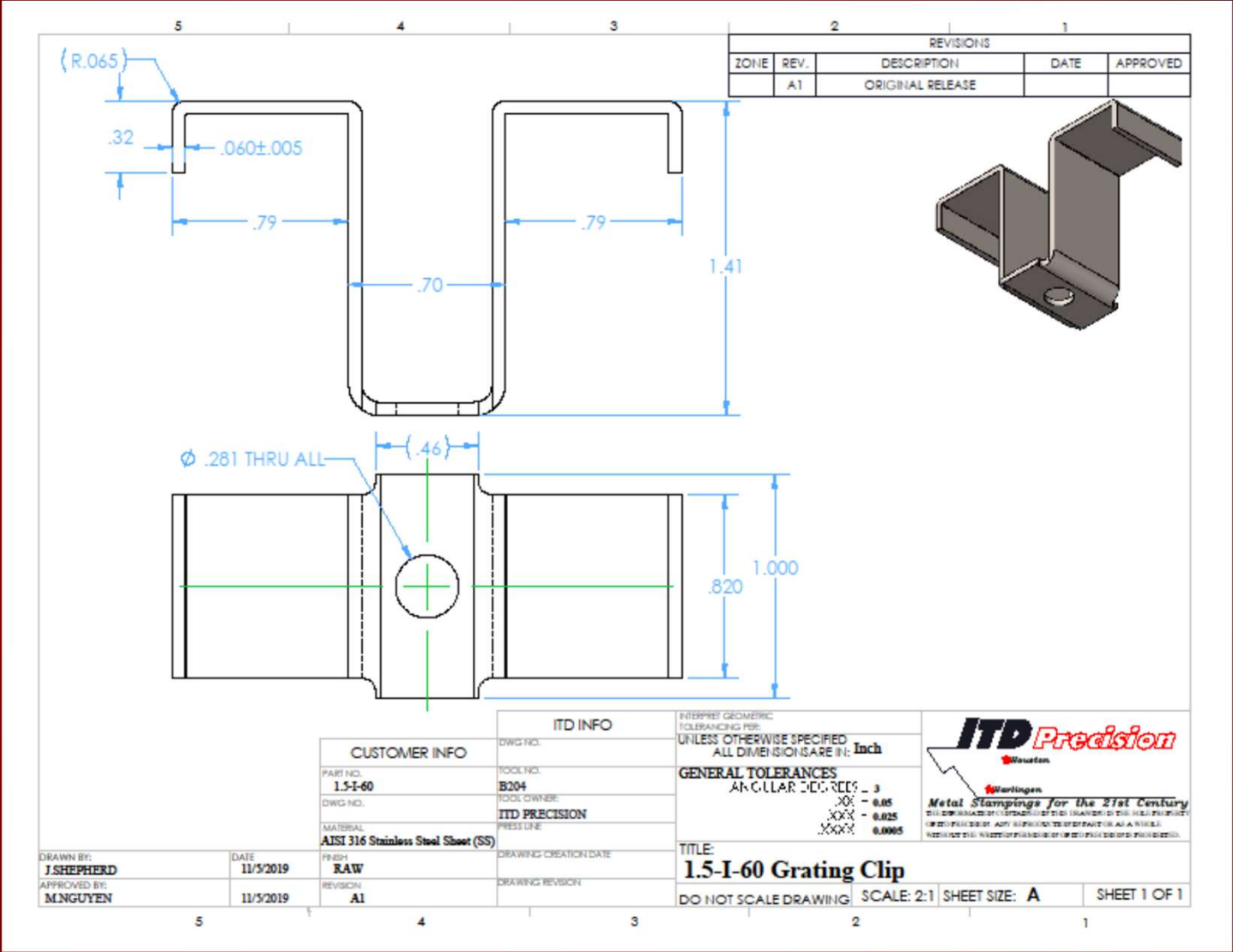
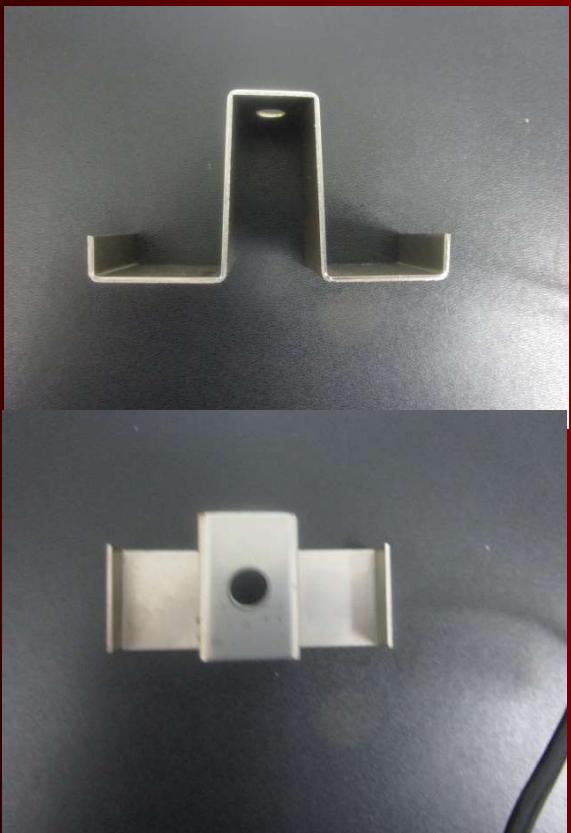


# 1.5"-I-60 GRATING FASTENER



Material, shape & size variations may be available, contact [Sales@itdprecision.com](mailto:Sales@itdprecision.com) for more information.